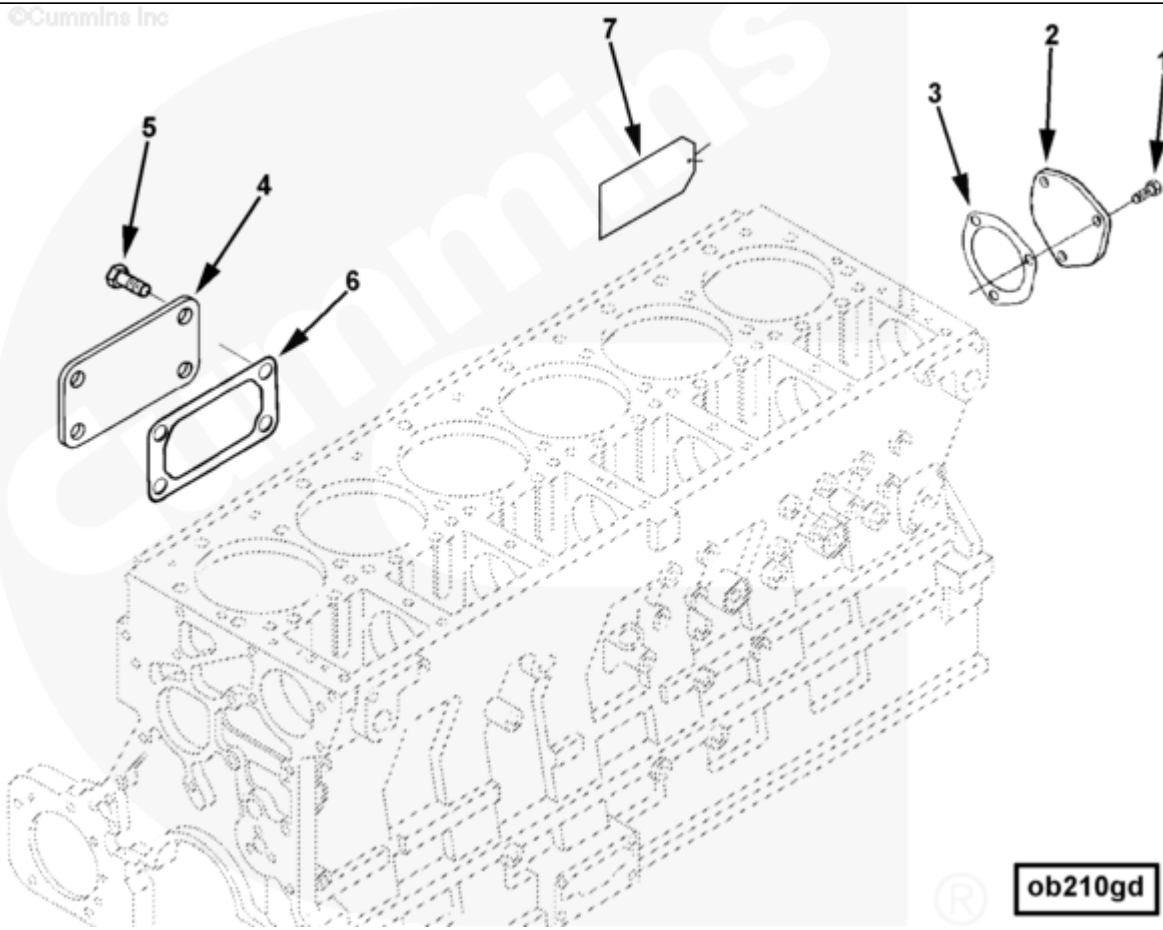





Parts Catalog - Option Detail

Electronic Parts Catalog - Option Detail				
Option	Group	Graphic	Film Card	Date
OB2495-02	07.02	ob210gd	II	17-FEB-09
Engines	ISM CM570, ISM CM570/870, ISM CM875, ISM CM876, ISM CM876 E, ISM11 CM876 M103, ISM11 CM876 SN, M11 CELECT, M11 CELECT PLUS, M11 MECHANICAL, QSM11 CM570, QSM11 CM876			



[SMALL](#) | [MEDIUM](#) | [LARGE](#)

Cart	Ref No	Part Number	Part Description	Required	Remarks
View My Cart					
		OB2495-02	Oil Filler Arrangement		
					Oil Filler Arrangement
					Oil Fill Supplier:
					Cummins Supplied
					Oil Fill Location: Left Side

					Center Hand Hole Cover
					Fill Tube Horiz Position:
					381mm (15 in.) from Front
					Face of Block
					Fill Tube Vertical Position:
					523.2mm (20.6 in.)
					Fill Tube Position Horiz from
					Engine Centerline: 445.3mm
					(17.53 in.)
					Dipstick Location: Left Side
					Center Hand Hole Cover
					Dipstick Tube Attachment
					Method: 3/4-16 UNF
					Oil Fill Tube Length from
					Hand Hole Cover Mounting
					Surface: 269.4mm (10.61 in.)
					Dipstick Guide Tube Horiz
					Distance: 108.9
					Unique Characteristics:
					Lockable Oil Fill Cap
					Oil Fill Support Mounting
					Location: Block Hole #330
					and WR Options that Provide
					Mounting for block Hole #329
					Acceptable for applications
					which experience high G loads
					such as bulldozers.
	1	3009887	Hexagon Head Cap Screw	3	M10 x 1.50 x 22

<input type="checkbox"/>	2	3025295	Camshaft Cover	1	
<input type="checkbox"/>	3	3025296	Cover Plate Gasket	1	
<input type="checkbox"/>	4	3028684	Hand Hole Cover	2	
<input type="checkbox"/>	5	3036230	Hexagon Head Cap Screw	8	M10 x 1.50 x 20
<input type="checkbox"/>	6	2871314	Hand Hole Gasket	2	
<input type="checkbox"/>	7	3892253	Instruction Tag	1	

© 2019 Cummins Inc., Box 3005, Columbus, IN 47202-3005 U.S.A.
Terms of Use and Disclaimers | Recommended System Requirements
Need Assistance? Please click on the Contact Us button in the top right corner of any page.